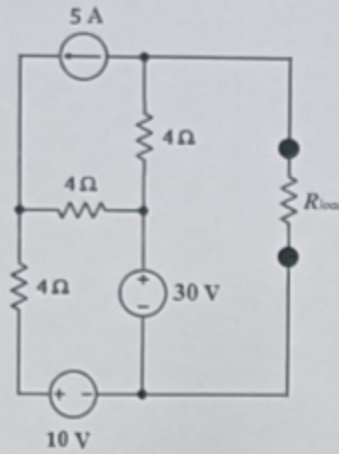
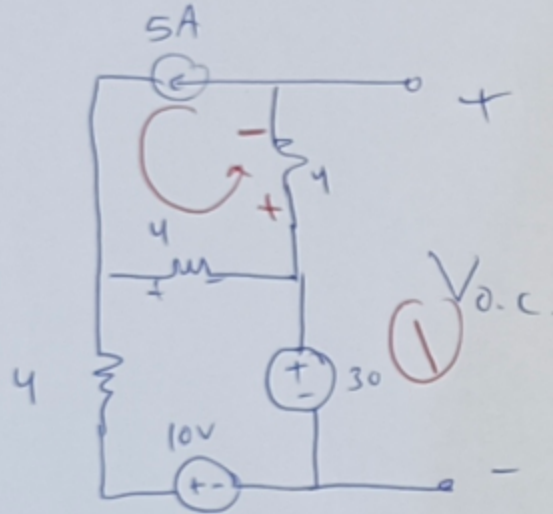
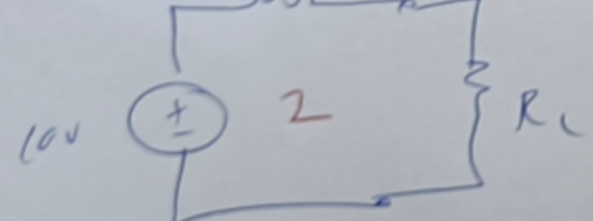
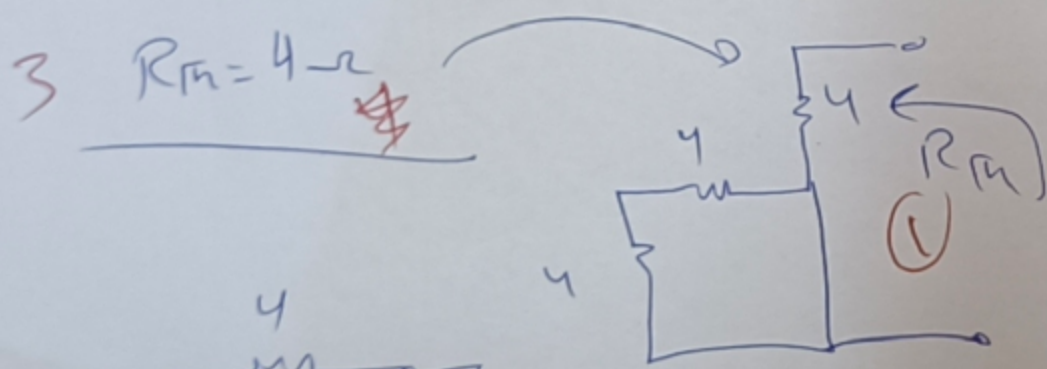


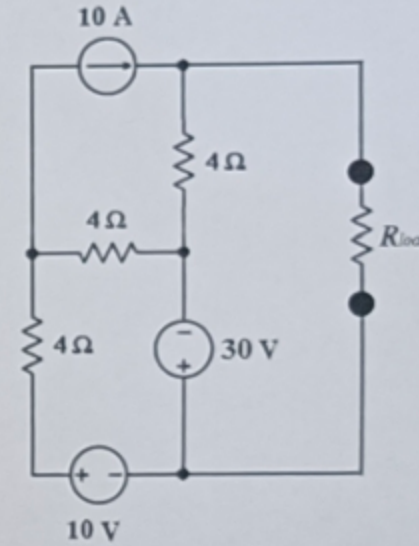
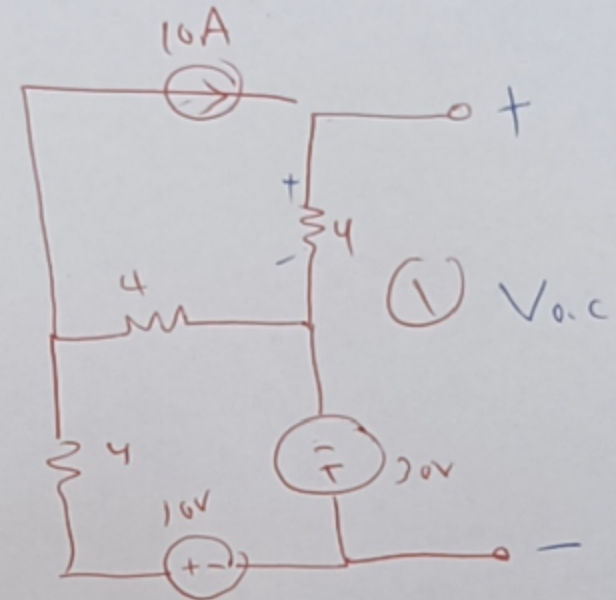
For the following circuit, find the Thevenin equivalent circuit across R_{load}



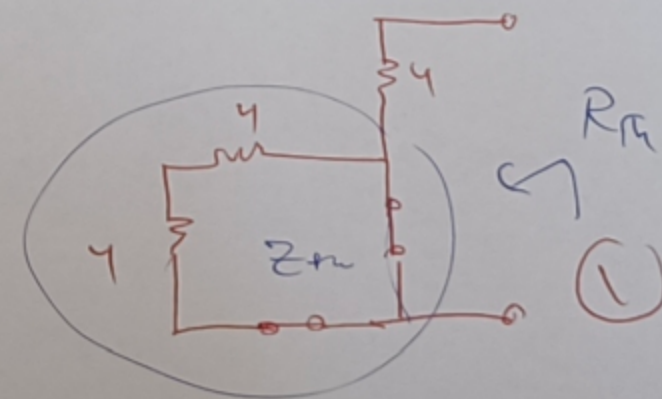
3 $V_{o.c.} = -4 \times 5 + 30 = 10V$ 4



For the following circuit, find the Thevenin equivalent circuit across R_{load}



$V_{o.c.} = 4 \times 10 - 30 = 10 \text{ volt.}$ 3



$R_{Th} = 4$ 3

