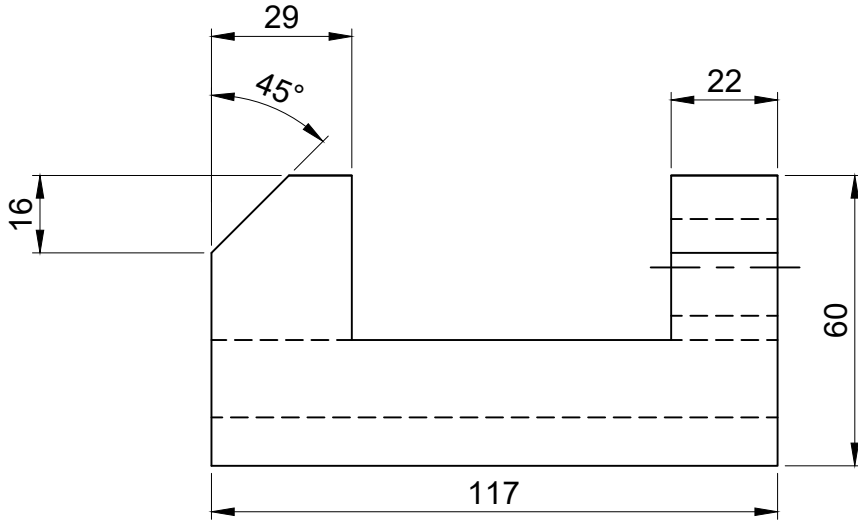


Classwork:

(X,Y) = (250,60)

Scale 1:1



Homework

(X,Y) = (260,40)

Scale 1:1

